

HUSH ActiV



BS 5839-6 GRADE C DOMESTIC FIRE ALARM KITS

Introducing Hush-ActiV - a new range of BS 5839-6 Grade C compliant residential fire detection and alarm solutions from C-TEC specifically designed to better protect people and property.

- ▶ Supplied in three cost-effective kit formats for ease of specification and installation
- ▶ Monitored for head removal, wiring, PSU and battery faults
- ▶ Easily accessible HUSH and TEST buttons
- ▶ Attractive double gang Hush-ActiV controller comes with non-latching fire and fault outputs, a trigger input, a rechargeable 72 hour standby battery and a separate mains power supply unit
- ▶ Uses attractively designed EN54 certified detection and alarm devices
- ▶ Only one 10-year replaceable standby battery per system (supplied)
- ▶ Each kit includes all of the devices you need to create a typical LD2 dwelling system - additional ActiV detection and alarm devices are also available to accommodate larger systems
- ▶ Designed and manufactured in the UK



Can be used
in any situation
where Grade D
Mains/Battery Alarms
are specified

HAK/1 Hush ActiV Kit



- 1 x Hush-ActiV Controller
- 1 x 230V/24V 250mA PSU
- 1 x ActiV Multi-Sensor Fire Detector
- 1 x ActiV Heat Detector
- 1 x ActiV Smoke Detector
- 3 x ActiV Detector Bases
- 1 x ActiV 96dBA Base Sounder
- 1 x ActiV Base Sounder Lid

HAK/2 Hush ActiV Kit



- 1 x Hush-ActiV Controller
- 1 x 230V/24V 250mA PSU
- 1 x ActiV Heat Detector
- 2 x ActiV Smoke Detector
- 3 x ActiV Detector Bases
- 1 x ActiV 96dBA Base Sounder
- 1 x ActiV Base Sounder Lid

HAK/3 Hush ActiV Kit



- 1 x Hush-ActiV Controller
- 1 x 230V/24V 250mA PSU
- 2 x ActiV Multi-Sensor Fire Detector
- 1 x ActiV Heat Detector
- 3 x ActiV Detector Bases
- 1 x ActiV 96dBA Base Sounder
- 1 x ActiV Base Sounder Lid

Key Benefits

HUSH ActiV

SAFER: Raises the typical level of fire protection in a residential dwelling from BS 5839-6 Grade D (unmonitored Mains/Battery Alarms) to Grade C (monitored wiring and a central controller)HAK/1

EASY-TO-ACCESS USER CONTROLS: No need to stand on a chair to Test or Hush/Silence devices

SECURE MONITORED WIRING: All field wiring monitored for open and short circuit faults

ENVIRONMENTALLY FRIENDLY: Up to 50% reduction in the mains power consumption of a typical Grade D system, less plastic and only one replaceable lithium-ion battery per system providing over 72 hours standby

REDUCED LIFETIME OWNERSHIP COSTS: Separate fire detectors and sounders are less expensive to replace than Mains/Battery Alarms and all smoke detectors have built-in drift compensation to increase service life expectancy

NO INTRUSIVE BS 5839-1 MAINTENANCE VISITS: Monthly user/occupant test is sufficient

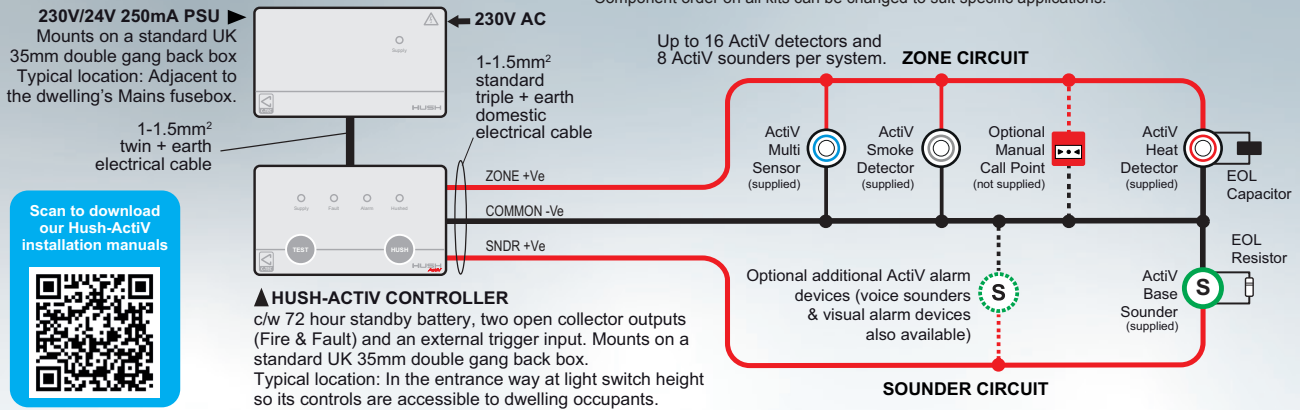
DIRECT GRADE D SYSTEM UPGRADES: Utilises the same wiring scheme as most Mains/Battery Alarm solutions



SCAN TO VIEW OUR
HUSH-ACTIV VIDEO

Wiring & Operation

For guidance only. Note HAK/2 & HAK/3 kits have a different mix of field devices. Component order on all kits can be changed to suit specific applications.



Scan to download our Hush-ActiV installation manuals



- ▶ Press **HUSH** when there is an Unwanted Alarm to silence the system for 2 minutes (extendable by a further 2 minutes if the Alarm has not cleared).
- ▶ Press **TEST** for 3 seconds when the system is in its normal state to briefly sound the Alarm sounder(s). This user test should be carried out monthly.
- ▶ Press **HUSH** when a wiring or battery fault is detected to silence the fault buzzer for 24 hours.
- ▶ Occupants should report the fault to the responsible person/service engineer at their earliest convenience.
- ▶ Press **HUSH** when the system is in its normal state to deactivate alarm detection for 15 mins ('hot works' function).

Order Codes & Trade Prices

all prices correct at 11/11/19

HUSH-ACTIV KITS & DECOR PLATES

Order Code	Description	Price
HAK/1	Hush ActiV Domestic Fire System Kit 1 c/w controller, PSU, 3 detectors (1 heat, 1 optical, 1 multi), 3 bases & a base sounder	197.70
HAK/2	Hush ActiV Domestic Fire System Kit 2 c/w controller, PSU, 3 detectors (1 heat, 2 optical), 3 bases & a base sounder	195.73
HAK/3	Hush ActiV Domestic Fire System Kit 3 c/w controller, PSU, 3 detectors (1 heat, 2 multi), 3 bases & a base sounder	200.43
BF-DP	Retrofit decor plate (to cover decorating marks on retro installs)	3.00

SYSTEM EXPANSION (DETECTORS, SOUNDERS & VADS)

Order Code	Description	Price
C4403A1R	ActiV A1R Rate-of-Rise Heat Detector. Needs base	19.28
C4403A2	ActiV A2 Std 60oC Fixed Temperature Heat Detector. Needs base	19.28
C4403B	ActiV B High 75oC Fixed Temperature Heat Detector. Needs base	19.28
C4416	ActiV Optical Smoke Detector. Needs base	21.93
C4414	ActiV Multi-Sensor Fire Detector. Needs base	28.87
C4408D	ActiV Diode Base	4.27
BF431C/CC/W	ActiV 96dB(A) Base Sounder	18.50
BF456C/CC/W	ActiV C-3-8.5 Base VAD c/w 96dB(A) Sounder	52.25
BF454C/CC/W	ActiV Base Voice Sounder	33.77
BF457C/CC/W	ActiV C-3-8.5 Base VAD c/w Voice Sounder	69.66

t: 01942 322744

e: sales@c-tec.co.uk

w: www.c-tec.com

E&OE. Approved Document No. DML0548900 Rev 2. Trade prices subject to change without prior notice. VAT chargeable extra at the current rate.